

The Marion Eagle Newsletter



<http://marionrcflyers.info>

MRCF

PO Box 9202

Rochester, MN 55903

June 2019

Volume 157

Editor: Wayne Brown

Club Officers 2019

President: Wayne Brown (507) 319-4406

rotoman@charter.net

Vice President: Skip Gram (507) 273-2748

klgram@charter.net

Treasurer: Judi Snyder (507) 990-8470

Jsndolly057@gmail.com

Sec. /Newsletter: Wayne Brown (507) 319-4406

rotoman@charter.net

Safety Officer: Bernie Drier (507) 288-1231

Bernie104@juno.com bernie313@charter.net

Field Maintenance: Jeff Sorenson

Rc13469@hotmail.com

Flight Instructors: Ray Dray (507) 261-0930 cell

rijdmid56@gmail.com ; Skip Gram (507) 273-2748

Skip Gram <klgram@charter.net>

Program Chairman: Open volunteer position

Club Dues accepted at the Club meetings or send your dues to:

**Marion RC Flyers
PO Box 9202
Rochester, Mn 55903**

Adult Membership \$75.00 per year

Family (Spouse) Membership \$75.00 per year

Student (19 years of age or under) \$1.00 per year

No Initiation Fee for New Members

*******Summer Meeting Schedule*******

The summer club meetings will resume starting May 8, 2019. They will be held at the Marion RC Flyers club field. Meeting time is 7:00 pm. So come out to the field and enjoy putting in some flight time before or after the meeting.

2019 summer meeting schedule:

June 12th; July 10th; August 14th; September 11th

See you there!

Electric Indoor Flying at the National Guard Armory

Wednesday's starting at 9:00 am.

Please try and get to the Armory at 9 am. We need to set up the tables and chairs for our use. Many hands make the load light. Please help out putting up the tables and chairs after flying is over. Sometimes there are only two or three of us doing it. I realize that all of us are getting a little bit older and we move slower. Thanks ahead of time for helping out.

Wayne's Corner....

We will be having the club meeting at the field this Wednesday evening at 7 pm. If it is raining we will meet at the Food Court at the Apache Mall for a short meeting to discuss the Fun Fly. I will send out an email if that we need to change the meeting location.

There are changes to the flying field I wanted to bring to everyone's attention. Harlan is no longer using the grass landing strip for full scale aircraft. He has leased the un-used portion of the runway to a canning company to plant their crops. Harlan requested Jeff and Dallas to measure and mark the area that we lease and use for our club flying. They have plowed the planting area already. This means that crops will be growing up to the edges of our flying field. We will get used to the changes.

There are some minor repairs at the field that we can set a date to complete them. Some trim work on the shed and replacing some support wood on the shelter. I am going to try and replace the shed trim wood on this coming Thursday. I will bring my miter saw and air-nailer to the field. If anyone has some free time to help me I would appreciate it. Maybe we could do some cleaning out of the shed to give Jeff more room to get the mower in and out easier.

We will discuss the Fun Fly on the 29th. Think about what you would like to eat for lunch. Dan has offered to cook again for us. Be sure to thank him for his service. We will need the signs put out and picked up after the event. I will bring the beverages this year. We will stake out in front of the shed to allow room for the tables and food service. We can setup the new canopies for shade.

We can talk about whether or not to continue not meeting during the winter. We did save money by not having to pay for a meeting room.

The Student Flight Instruction Program resumed in June

Beginner's Night: Wednesday afternoons/evenings. Contact our qualified Flight Instructors for free flight instruction. It is recommended that you make an appointment with Ray Dray or Skip Gram for flight instruction.

Call Ray Dray at (cell) 261-0930 or (home) 775-6933.

Call Skip Gram at (507) 273-2748

Student Flight Instruction Program

Student flight instruction is provided free of charge during the flying season, June through September, by one of our qualified flight instructors.

- Please call Ray Dray at 261-0930 (cell) or 775-6933 (home) or Skip Gram at 273-2748 to set up an appointment for flight instruction. They can answer any questions you might have.
- You should read and understand the club rules that are posted online and at the field. If you have any questions have your instructor clarify them during the first flight lesson.
http://www.marionrcflyers.org/index.php?option=com_content&view=article&id=20&Itemid=16

- Please call our club instructor to make an appointment for flight training. This will assure that there will be somebody at the field to assist you.
- After completing your lessons you will need to join the AMA and our club to be allowed to fly at our club field. Join the AMA at <https://www.modelaircraft.org/joinrenew.aspx>. To join our club, contact Wayne Brown at 319-4406. Our membership forms can be found in the New Pilot Info link to the left.

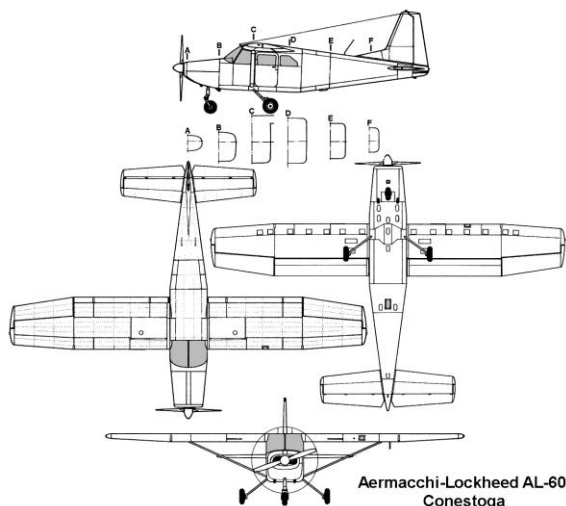
The available instructors are listed below:

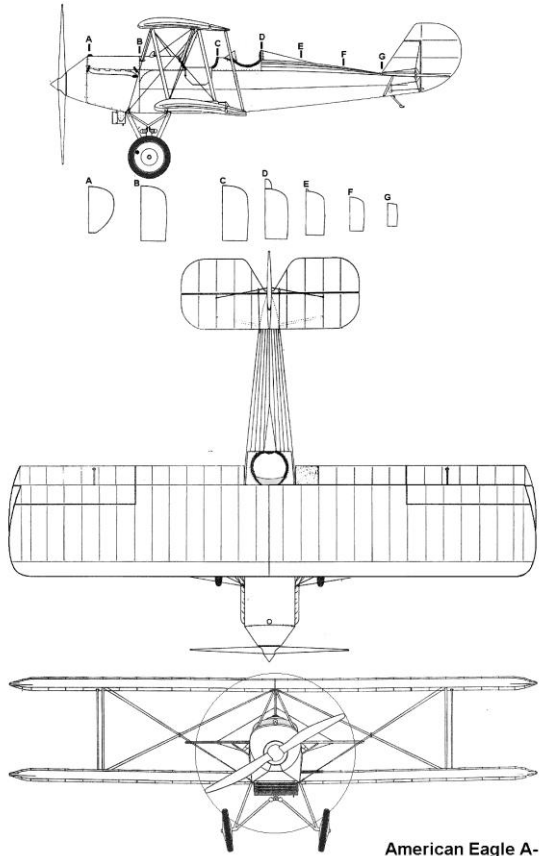
Instructor	Phone Number	Special Information
Ray Dray	261-0930 cell	Airplane Instruction
	775-6933 Home	
Skip Gram	273-2748	Airplane Instruction

- If using your own airplane for flight lessons you should make sure your radio equipment has been charged and the switches are in the off position before you arrive at the field. If you do not own your own airplane you can use the club training aircraft at no charge to you.
- When you arrive at the field ask for your instructor. He will provide direction on where and how to set up the airplane for instruction.
- Pay attention to what your instructor has to say and show you. He will show you proper flying field procedures and etiquette. You can learn by observing how pilots set up and fly their aircraft.
- Relax and take your time. If you feel tired or worn out call it a day and schedule a lesson for another day. When learning to fly it may take more lessons than expected.
- When your instructor says you are ready you will complete a check flight, where you will be asked to do three takeoffs and landings, demonstrate the correct pattern and flying field etiquette. After successful completion you will then be considered a qualified R/C Pilot and allowed to fly solo without an instructor.
- You can request additional lessons at any time. These can include aerobatic maneuvers.

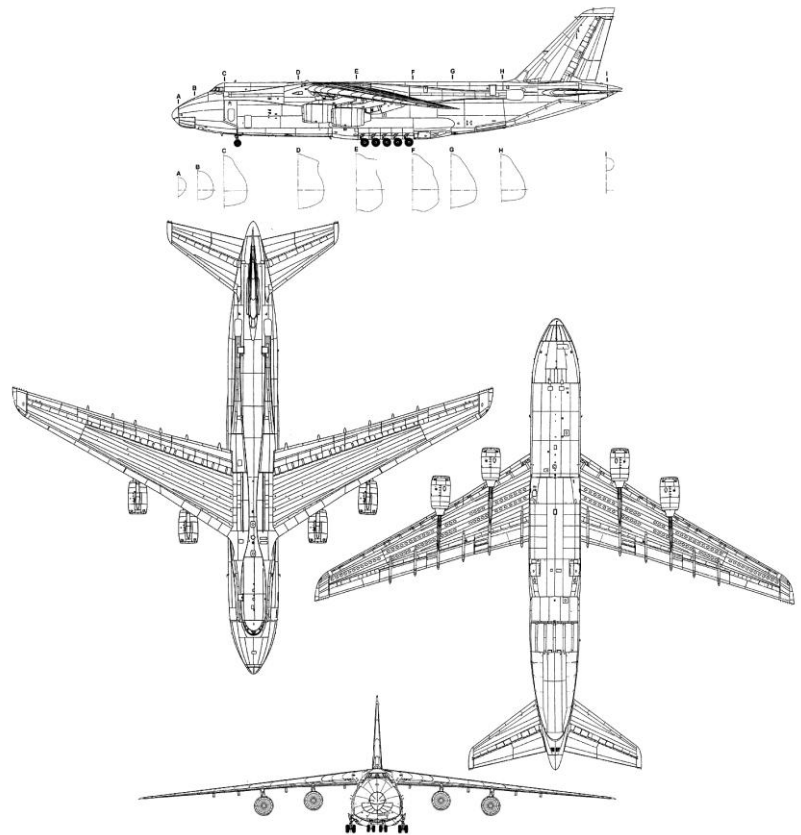
Meeting Minutes

No meeting minutes from May 2019 because of rain at the club field.

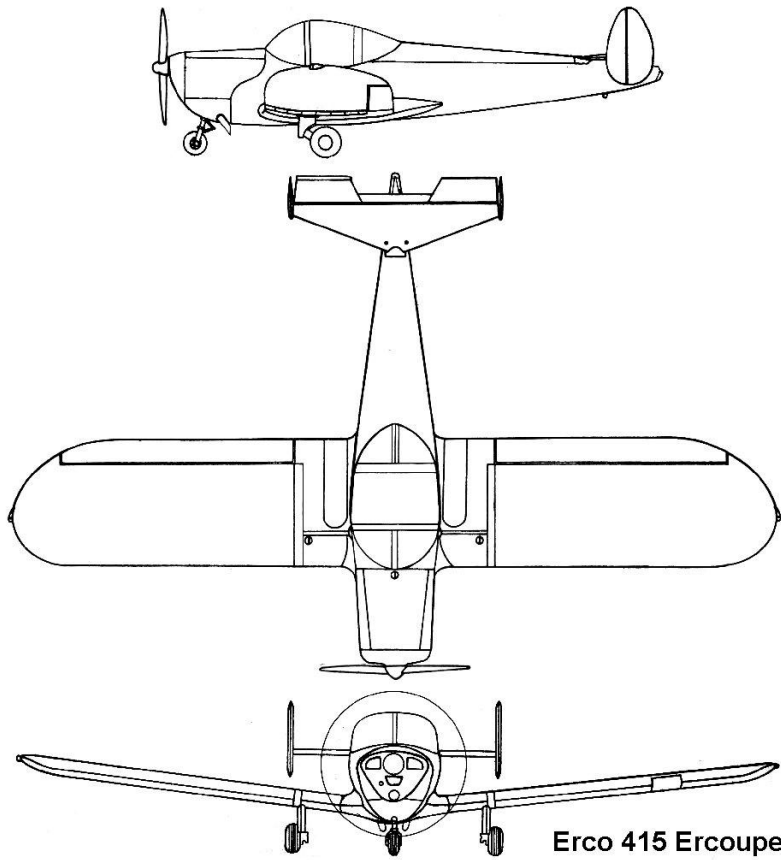
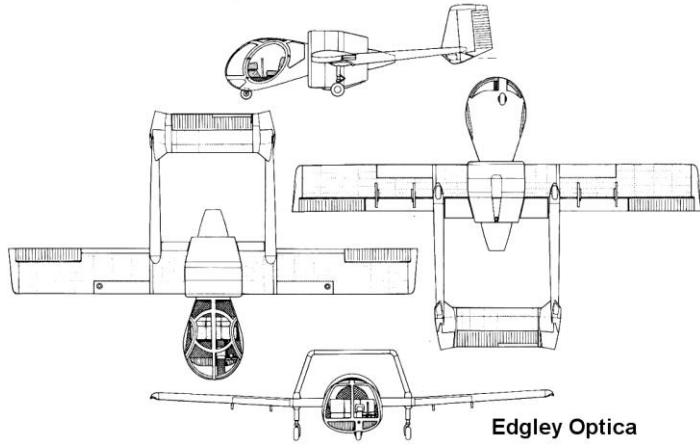




American Eagle A-129



Antonov An-124 Ruslan (Condor)



Fly straight or crooked as long as you fly!